

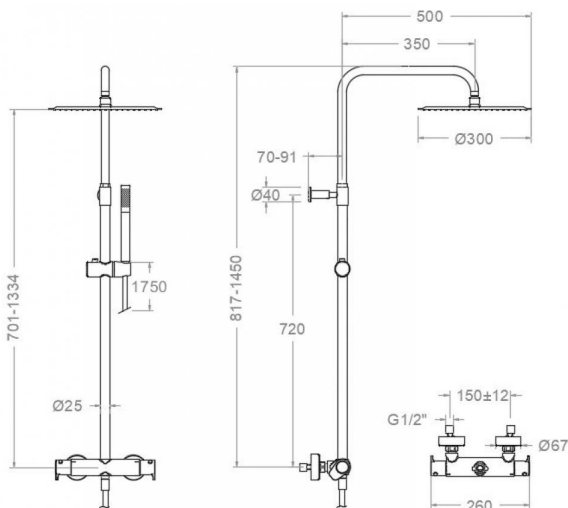


365412 RM300NC BRUSHED NICKEL
 (361202SNC+DN132DNC+RM300NC+3714NC+2475CNC)
365412RM300NC

Collection: Alexia
Finish: Brushed nickel
Code: 36D309424
Location: Bath
Category: Shower

Technical characteristics

- Thermostatic cartridge Ø34 mm.
- Flow rate at 3 bar (43 PSI): 12 l/min through hand shower outlet and 10 l/min through showerhead outlet.
- Thermal shock resistant and anti-Legionella chemical.
- Guarantee of 5 year for tapware and 3 years for accesories.
- Use pressure between 1-5 bar (14.5-72.5 PSI). Recomendad pressure 3 bar (43 PSI).
- Resists static pressure equal to or less than 10 bar (145 PSI) and water hammer up to 25 bar.
- 3 bar (43 PSI) acoustic level less than 20 dB.
- Comfort benefits of fidelity, sensibility and constancy in temperature selection.
- Recommended temperature of use from 15°C to 55°C. Maximum use temperature 65°C. Maximum 1h at 90°C
- Minimum installation required with gas or electrical water heaters from 10 liters with 18 Kw of power.
- Quick response to temperature variations. Maximum time of 1 second.
- Thermostatic cartridge with Hot Block system for anti burn safety.
- Termostop system for blocking temperature at 38°C.
- Cooltouch system that maintains the tapware cold-temperate to the touch.



Tests

- Water tightness, flow rate, mechanical behavior under pressure, mechanical resistance, dimensional, acoustical and corrosion test according to european standards EN 1111 and EN 248.

Composition and spare parts

