



SHOWER DRAIN

STAINLESS STEEL DOUBLE FUNCTION DRAIN



CODE
S60



TYPE
SHOWER DRAIN



BRAND
SANOVIA



INSTALLATION
FLOOR SIPHON

Specifications

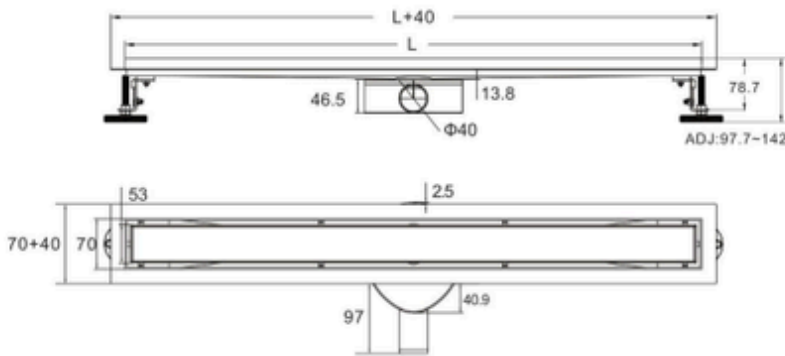
Length/Width/Height:	300~3000mm/70mm/72mm
Thickness:	Base: 1.2mm Pattern Panel: 1.5mm Tile Panel: 1.0mm
Material-Drain Body:	SS304
Flow Rate:	45L/min
Outlet Size:	40~50mm
Drainage Direction:	Horizontal
Adjustable Height:	Black Short: 65~80mm

Exploded View



Accessories: 1: Cover 2: Hair Strainer
3: Base 4: Leveling Feet 5: 360° Connector

Dimensional Drawing



Suitable For:



TECHNICAL SPECIFICATIONS

Material	Stainless Steel 304
Size	600mm
Available Colors	Brushed Inox - Matt Black - Brushed Gold
Outlet	40mm/50mm - 360° siphon
Certification (CE / EN 1253)	Yes

