

## Adagio, two handle faucet with swivel spout 170mm, chromed 910101

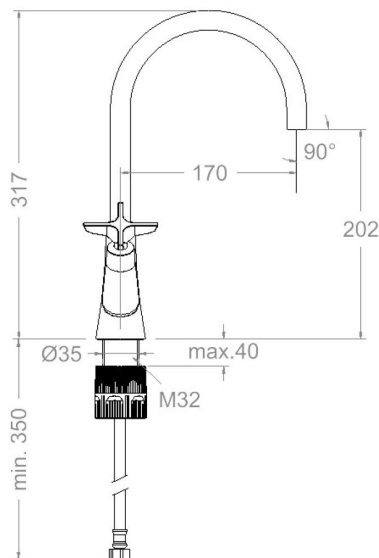
**Collection:**  
Adagio

**Finish:**  
Cromo

**Code:**  
91A306076

**Location:**  
Baño

**Category:**  
Lavabo



### Technical characteristics

- Ceramic headwork G1/2 of 90°.
- Flow rate: 5 l/min (stable for the range 1.5-5.5 bar (21,8-79.8 PSI) and temperature 15-55°C)
- Thermal shock resistant and anti-Legionella chemical.
- Guarantee of 5 year for tapware and 3 years for accesories.
- Use pressure between 1-5 bar (14,5-72,5 PSI). Recomend pressure 3 bar (43 PSI).
- Resists static pressure equal to or less than 10 bar (145 PSI) and water hammer up to 25 bar.
- 3 bar (43 PSI) acoustic level less than 20 dB.
- Comfort benefits of fidelity, sensibility and constancy in temperature selection.
- Recommended temperature of use from 15°C to 55°C. Maximum use temperature 65°C. Maximum 1h at 90°C
- Chromed surface: 15 microns thick of nickel and 0.3 microns thick of chrome.

### Tests

- Water tightness, flow rate, mechanical behavior under pressure, mechanical resistance, dimensional, acoustical and corrosion test according to european standards EN 200 and EN 248.

