



ART BASIN

COUNTERTOP



CODE
DS-3080



TYPE
COUNTERTOP



BRAND
SANOVIA



INSTALLATION
COUNTERTOP

PRODUCT DESCRIPTION

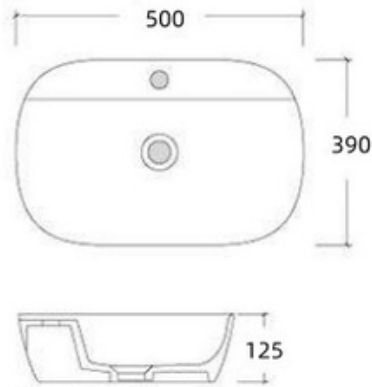


Oval countertop washbasin without overflow. High quality ceramic with anti-scratch glaze. Compatible with click-clack waste.



Packaging: 1 pc / carton

TECHNICAL DRAWING



Dimensions:
500x390x125mm

TECHNICAL SPECIFICATIONS

Material	Porcelain
Finish	Glossy
Available Colors	White
Warranty	2 Years in porcelain
Certification (CE / EN 977-CL1-5A)	Yes

